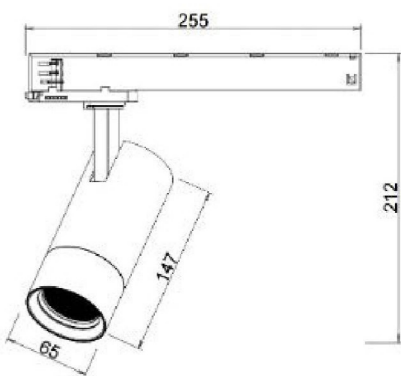




ULTRANOVA 3~Ph. 20W

Discover the new ULTRANOVA range. With state-of-the-art LED technology, it delivers energy-efficient and versatile lighting solutions for a wide range of professional applications. The minimalist three-phase spotlight combines flexibility and performance, offering selectable colour temperature (3000 K / 4000 K / 5000 K) and an adjustable beam angle that can be continuously varied from 24° for precise accent lighting to 60° for wide, uniform illumination. A high colour rendering index of CRI >90 ensures lifelike colour reproduction. The fitting also features a power selector function, accessed via the DIP switch on the track adapter, which allows the output to be set at 10 W, 15 W or 20 W, corresponding to 1000 lm, 1500 lm or 2000 lm respectively. Within the selected power setting, the luminaire is fully triac dimmable, providing additional flexibility in light control.



TECHNICAL DATA

Item no.	1020-B
Rotating or tilting	rotary bar and tiltable
IP Code	IP20
Impact resistance class	IK 05
Primary nominal voltage	220-240V ~50/60 Hz
Secondary power / voltage	220/340/450 mA
Safety class	I
Wattage	10/15/20W via DIP switched
Minimum ambient temperature	-20 °C
Maximum ambient temperature	40 °C
Level of inrush current	4.14 A
Duration of inrush current	1215 µs
Lumen	1000/1500/2000 lm
Colour temperature	3000/4000/5000 Kelvin
Beam angle	24-60° zoomable
Color	black
CRI	90
Service life	50000 h
Dimmable	Triac (within wattage range)
Length	25.5 cm
Height	21.2 cm
Diameter	6.5 cm